

Fig.37 Airborne tape transport with dual capstan drive

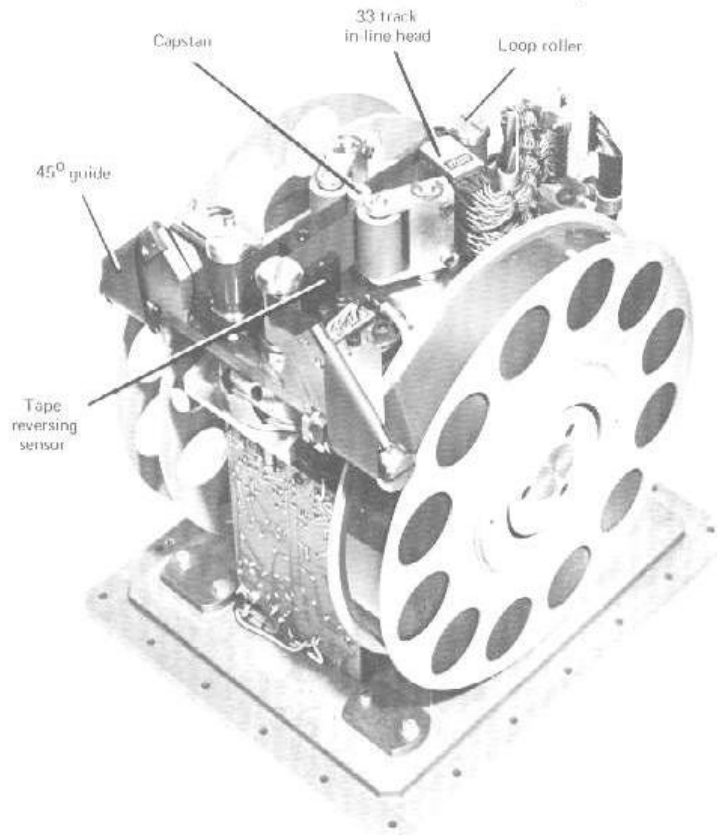


Fig.38 Airborne tape transport - coaxial reel configuration (20.32cm reels)